

**3.5 x 6.0mm Tact Switch (Vertical, SMT / TH Type)**



TSC-08/09/10S/T-XXXH


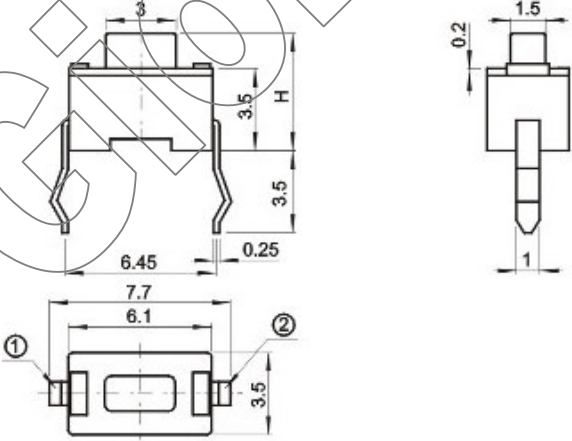
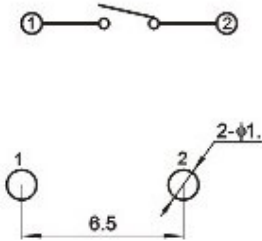
TS - Tact Switch  
 C - C Series  
 08 / 09 / 10 – Type  
 S / T - SMT Type / T - TH Type  
 XXX - Action Force (gram)  
 H - With Post (Optional)  
 H = 4.3 or H =5.0 – High (Optional)


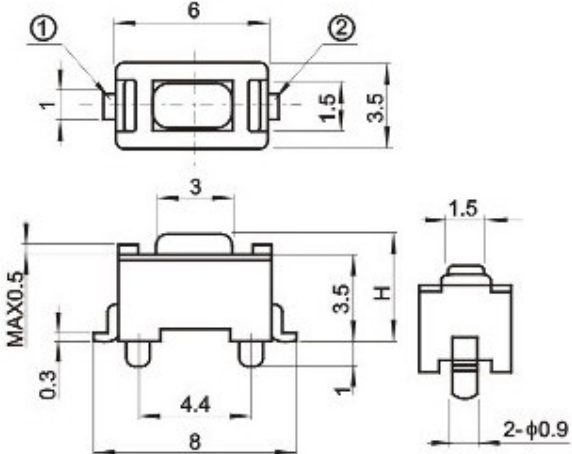
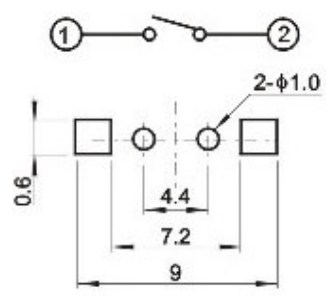

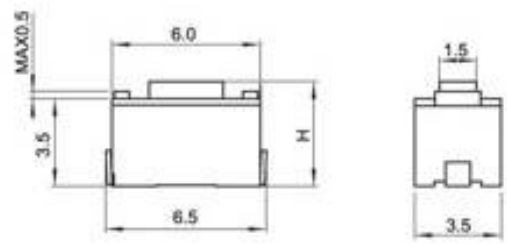
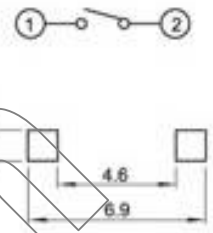

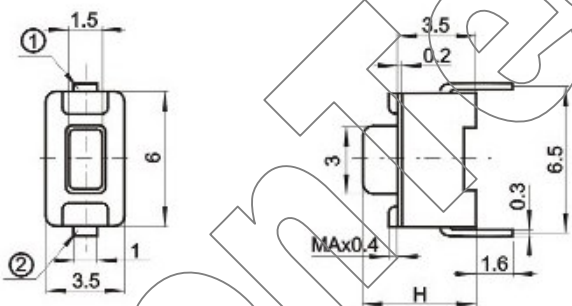
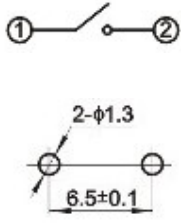

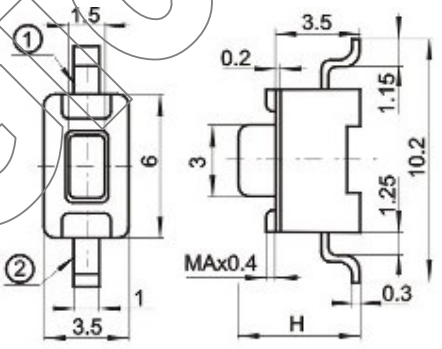
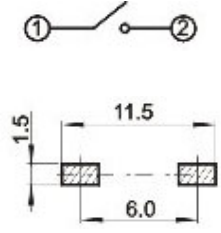
**SPECIFICATIONS**


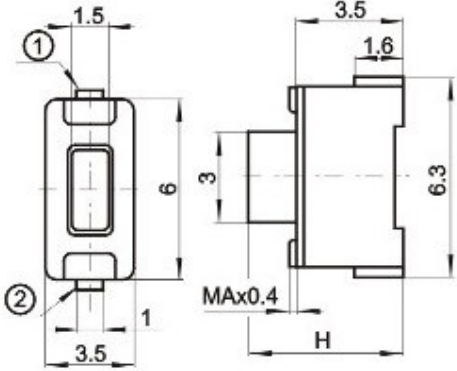
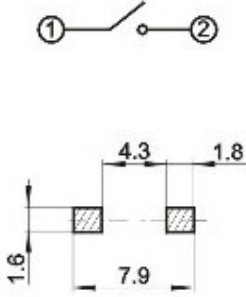

Mechanical Life: 100,000 cycles for 70g±50g, 130g±50g, 180g±50g.  
 50,000 cycles for 250g±50g  
 Operating Force: 70g±50g, 130g±50g, 180g±50g, 250g±50g  
 Travel: 0.25±0.1mm  
 Rating: 50mA 12V DC  
 Dielectric withstanding: 250V AC/minute  
 Insulator resistance: ≥ 100 MΩ at 100V  
 Contact resistance: ≤ 100 mΩ/Contact  
 Operating temperature: -30°C ~ +85°C  
 Storage temperature: -40°C ~ +85°C

**Material**

Base: PA6T/LCP, UL94V-0  
 Contact material: Phosphor Bronze  
 Contact Spring Plating: Stainless Steel/Silver Plating

Physical Picture	Outline Drawing	Circuit
 <p>TSC-08T-XXX</p>		

 <p>TSC-09S-XXXH</p>		
 <p>TSC-10S-XXX</p>		
 <p>TSG-2CT-XXX</p>		
 <p>TSG-2DS-XXX</p>		

 <p>TSG-2FS-XXX</p>		
 <p>TSG-2GS-XXXH</p>	